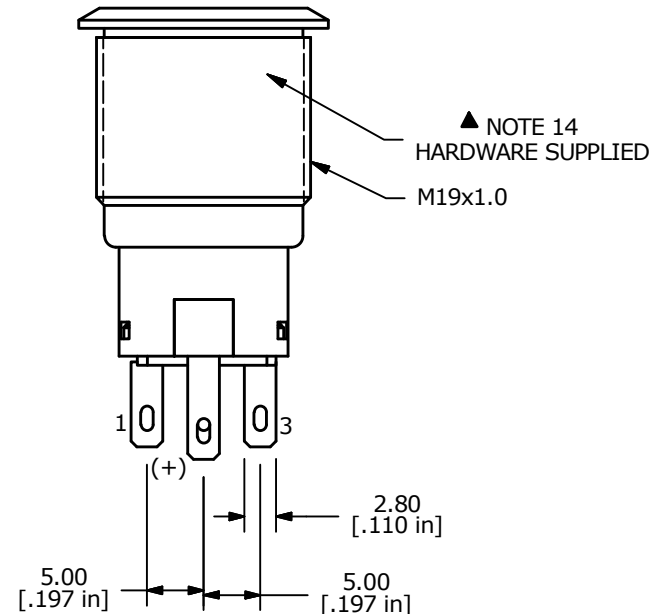
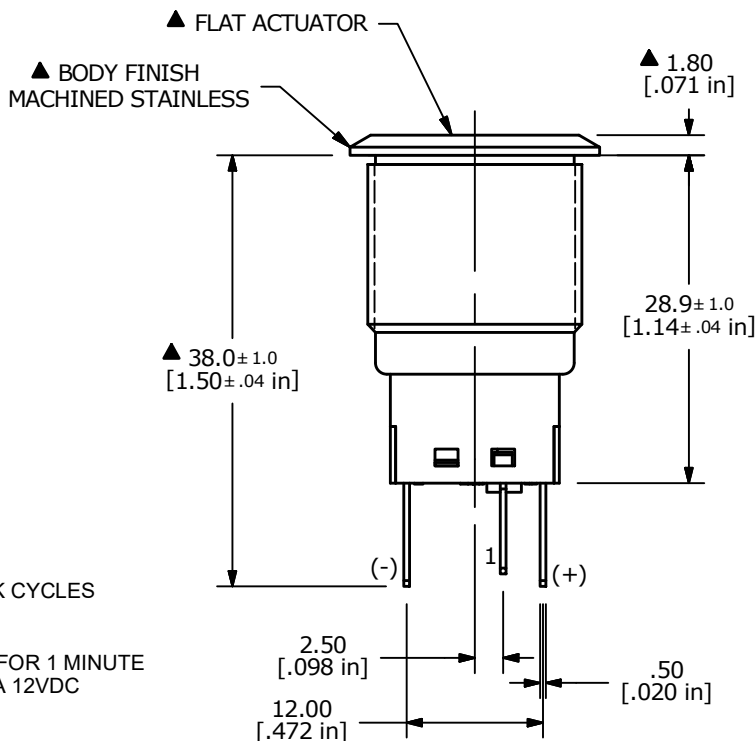
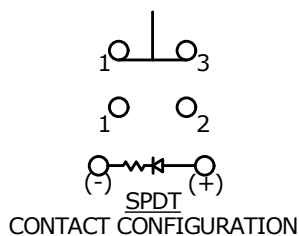
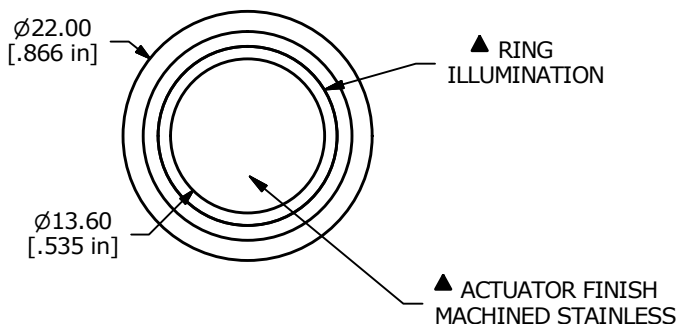


SWITCH FUNCTION	
POS. 1	POS. 2
ON	(ON)
1-3	1-2

(ON) = MOMENTARY



- NOTE:
- ALL DIMENSIONS IN MM [INCH]
  - GENERAL TOLERANCE: X.X=±0.4  
X.XX=±0.25
  - TERMINAL NUMBERS FOR REF ONLY
  - CONTACT MATERIAL: SILVER
  - RATING: 2A 24VDC
  - ELECTRIC LIFE: 50,000 MAKE-AND-BREAK CYCLES AT FULL LOAD.
  - INSULATION RESISTANCE: 1,000 MΩ MIN.
  - DIELECTRIC STRENGTH: 2,000 VAC MIN. FOR 1 MINUTE
  - CONTACT RESISTANCE: 50mΩ MAX. @ 1A 12VDC
  - OPERATING TEMP.: -20°C to 55°C
  - ▲ DENOTES CRITICAL PARAMETER.
  - LAMP VOLTAGE: 24V
  - INGRESS PROTECTION: IP65
  - HARDWARE SUPPLIED: O-RING AND HEXNUT
  - ILLUMINATION COLOR: RED
  - TRAVEL: 2.8mm



B	23600	UPDATED RATING TO 2A @ 24VDC	10/9/18	MJR
A	20933	RELEASE FOR PRODUCTION	12/20/12	EBP
REV	PCR NO	DESCRIPTION	DATE	BY

TITLE PV4F2B0SS-315				
SCALE 3:2	DATE 12/20/2012	DR EBP	DWG 52-PV4F2B0SS315	REV B

THE INFORMATION CONTAINED IN THIS DOCUMENT IS PROPRIETARY TO E-SWITCH AND IS NOT TO BE COPIED OR TRANSFERRED